



Oslo Timber Clad Semi-enclosed Cycle Compound

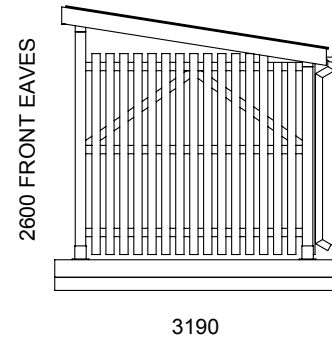
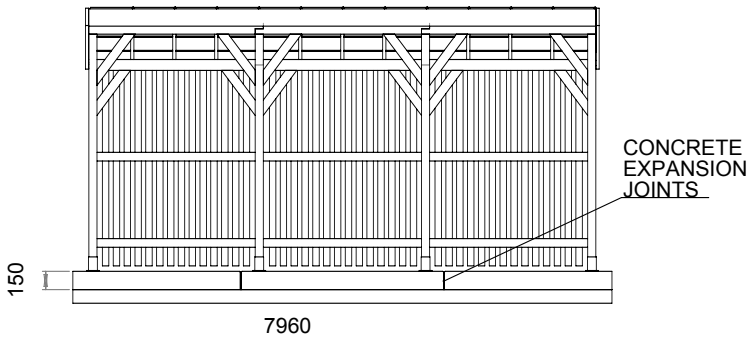
Our **Oslo Cycle Shelter** is an all-timber design showcasing the beauty of natural wood. Manufactured from FSC-certified timber with cladding on three sides, the shelter's design includes a polycarbonate roof with a choice of cycle storage. Features include:

- Bespoke sizing and designs available
- Rustic design looks stunning in any environment
- Wide choice of cycle parking available, including hoops, semi-vertical racks, two tier racks, etc.

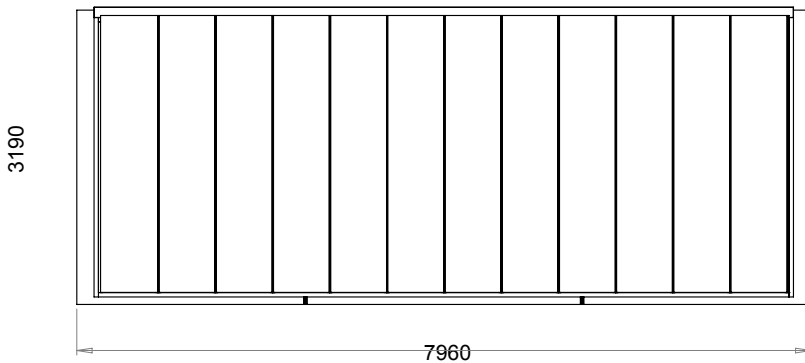


Technical Drawing

Typical Layout and specifications



OVERALL DIMENSIONS INCLUDING BASE



- POSTS** - 120MM X 120MM LAMINATE PLAYGRADE TIMBER
- ROOF FRAMEWORK** - 145MM X 47MM PLAYGRADE C16 TIMBER
- ROOF** - 16MM POLYCARB GLAZING SYSTEM
- FASCIA** - 190MM X 47MM PLAYGRADE C16 TIMBER
- SIDE FRAMES** - 95MM X 47MM PLAYGRADE C16 TIMBER
- SIDE CLADDING** - 95MM X 25MM PLAYGRADE C16 TIMBER

ALL PLAYGRADE TIMBERS SMOOTH PLANED WITH EASED EDGES.

FIXING - STRUCTURE SURFACE FIXED USING GALVANISED STEEL FEET SECURED TO CONCRETE BASE. (CONCRETE BASE INSTALLED BY OTHERS)

TIMBER - TANALITH E TREATED (GREEN TREATED)

